

YANMAR SERVICE NEWS

Subject	Tightening Torque for Old & New SCR Urea Water Packings	No. : 19-2-G-12-007-S Date: 2019. 12
Engine Model	All SCR Models	Use
		Engine Nos.
		Marine Main & Aux. Engines

There are two types of urea water filter packing installed inside the SCR pump unit in the market presently. Each packing, made of different material, must be tightened with its specific tightened torque. We request that the No.6 nut, as shown in Fig.1 below, be tightened with the torque specified in the table below.

Please note that a new black packing will be delivered to you even when you ordered the old type packing from us for use with your next maintenance opportunity. Be sure to tighten the packing with correct tightening torque as specified. (There is no problem with the performance of old and new packings.)

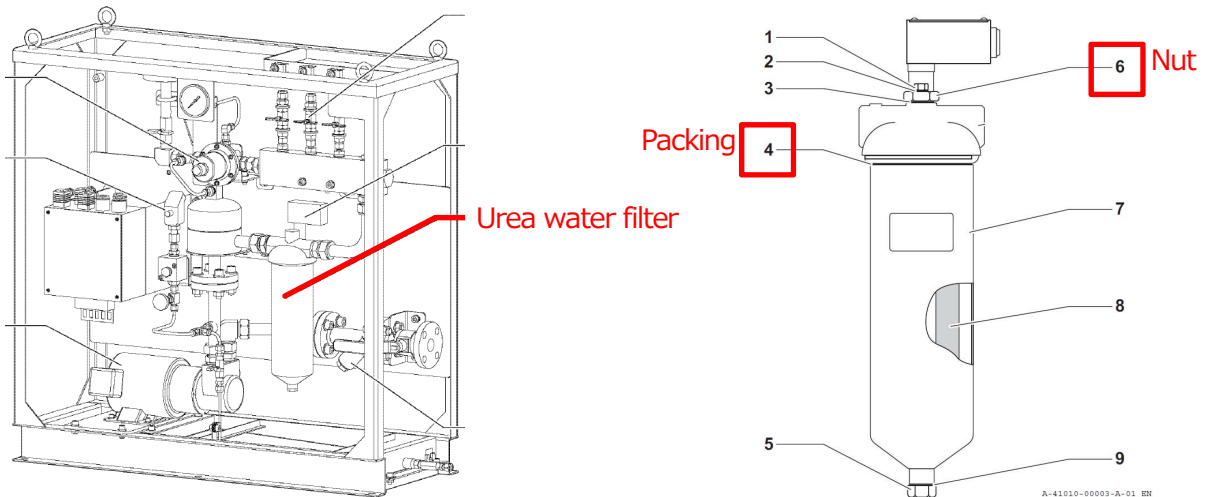




Fig.1 SCR Pump Unit (Left) and Urea Water Filter (Right)

	Old (White Packing)	New (Black Packing)
External appearance		
Packing material	Fluororesin	Fluoro-rubber
Packing part number	109810-41810	109810-41811
Tightening torque	25 Nm	10 Nm

<p>YANMAR CO.,LTD. Customer Service Division Large Power Products Management Division Power Solution Business</p>	Approved	Checked	Prepared
			